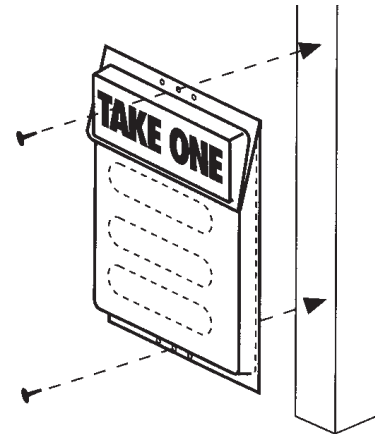




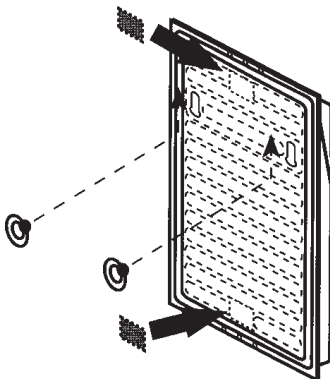
Peel back and affix
"TAKE ONE" decal as
shown.

Screw Mount



Use the enclosed screws to install
Outdoor Literature Holder on any
wood post. Make sure to apply
the screws through the upper
AND lower holes as shown.

Suction Cup or Adhesive Mount



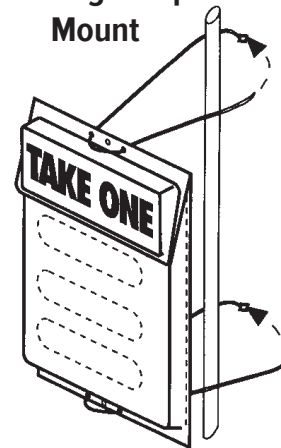
To attach Outdoor Literature Holder
to any window, punch out keyhole
tabs located on the back of holder
and insert suction cups as shown.

**(Suction Cups not included,
Item No. 2307605201.)**

For best results clean surface prior
to attachment.

To mount with double-sided tape,
peel back and affix as shown.

Locking Strap Mount



Thread permanent locking
straps through the pair of
holes located at the top
AND bottom of the holder;
wrap locking straps around
pole and thread one end of
strap through the open
end, then pull tight.

NO TOOLS NEEDED.